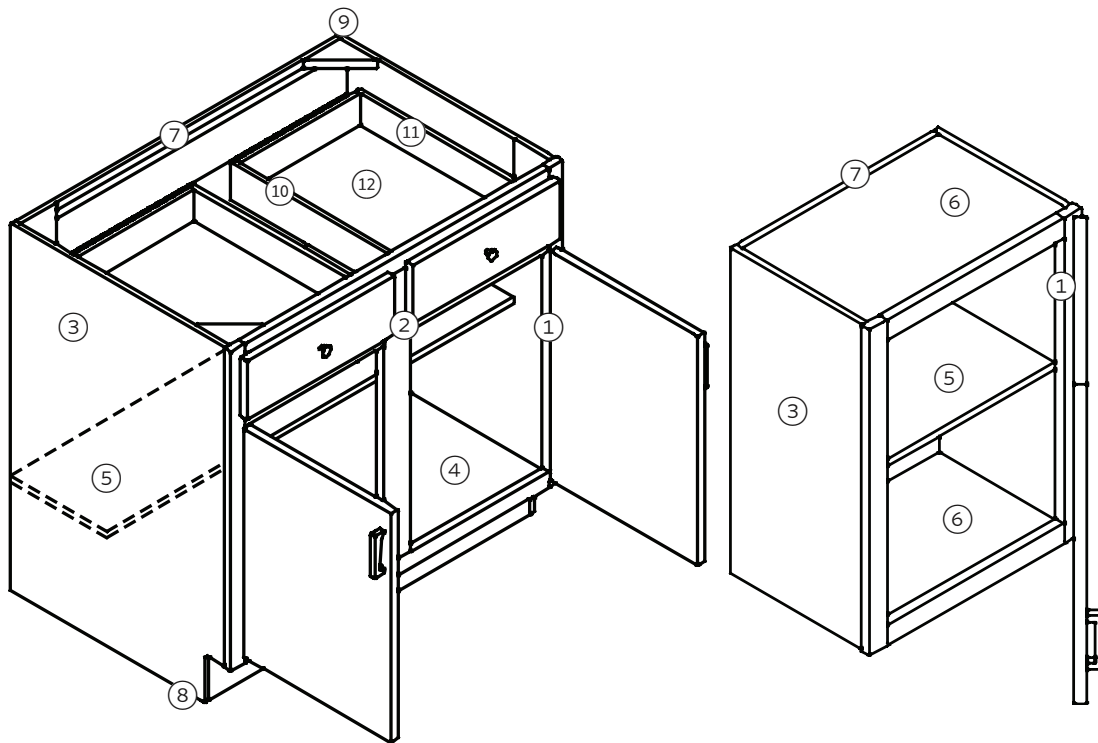


FRAMED CABINETS WITH THERMOFOIL DOORS

Standard Construction



- ① Hinges – 1/2" overlay concealed
- ② Face Frame – 3/4" hardwood
- ③ End Panels – 1/2" particleboard
- ④ Base Bottoms – 1/2" particleboard
- ⑤ Shelves – 5/8" pbd, base & wall adj.
- ⑥ Wall Tops/Bottoms – 1/2" particleboard
- ⑦ Backs – 1/8" hardboard
- ⑧ Toe Kick Supports – 1/2" particleboard (inset)
- ⑨ Corner Blocks – Triangular Nylon
- ⑩ Drawer Guides – Epoxy, 75 lb. capacity
- ⑪ Drawer Box – 1/2" particleboard
- ⑫ Drawer Bottom – 1/8" hardboard

Note: Variation in color and grain may differ from actual product.



KITCHEN CABINET
 MANUFACTURERS ASSOCIATION

5810 Elysian Fields Rd
 Marshall, TX 75672
 (903) 935-7611 office
 (903) 927-2333 fax
 rcd@republicelite.com

RCD CABINETS.COM

[f /RepublicCabinetsTX](https://www.facebook.com/RepublicCabinetsTX)

[in /company/republic-industries-inc.](https://www.linkedin.com/company/republic-industries-inc.)

Thermofoil Doors on Framed Cabinet Selections

Door Style



Shaker TF
Shaker style door, mortise and tenon construction. Recessed flat center panel with 2" wide rails & stiles. Slab drawer front. *(Matte White shown)*

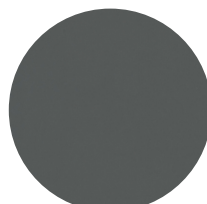


Manhattan
Slab thermofoil door with rounded edge profile. Slab drawer front. *(Tin Roof shown)*

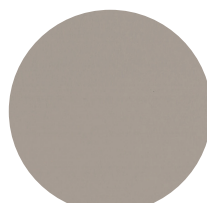
Door Color



Matte White TF



Tin Roof TF



Cashmere Grey TF

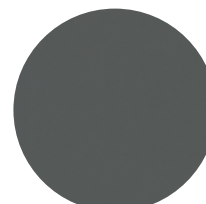


Verismo TF

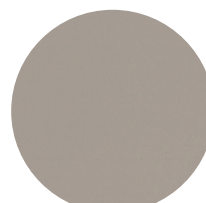
Cabinet Finish



White Paint



Tin Roof Paint



Cashmere Grey Paint



Castlerock Stain

This collection will default to wheat backs & interiors unless otherwise specified.

Note: Variation in color and grain may differ from actual product.



KITCHEN CABINET
MANUFACTURERS ASSOCIATION

5810 Elysian Fields Rd
Marshall, TX 75672
(903) 935-7611 office
(903) 927-2333 fax
rcd@republicelite.com

RCD CABINETS . COM

/RepublicCabinetsTX

/company/republic-industries-inc.