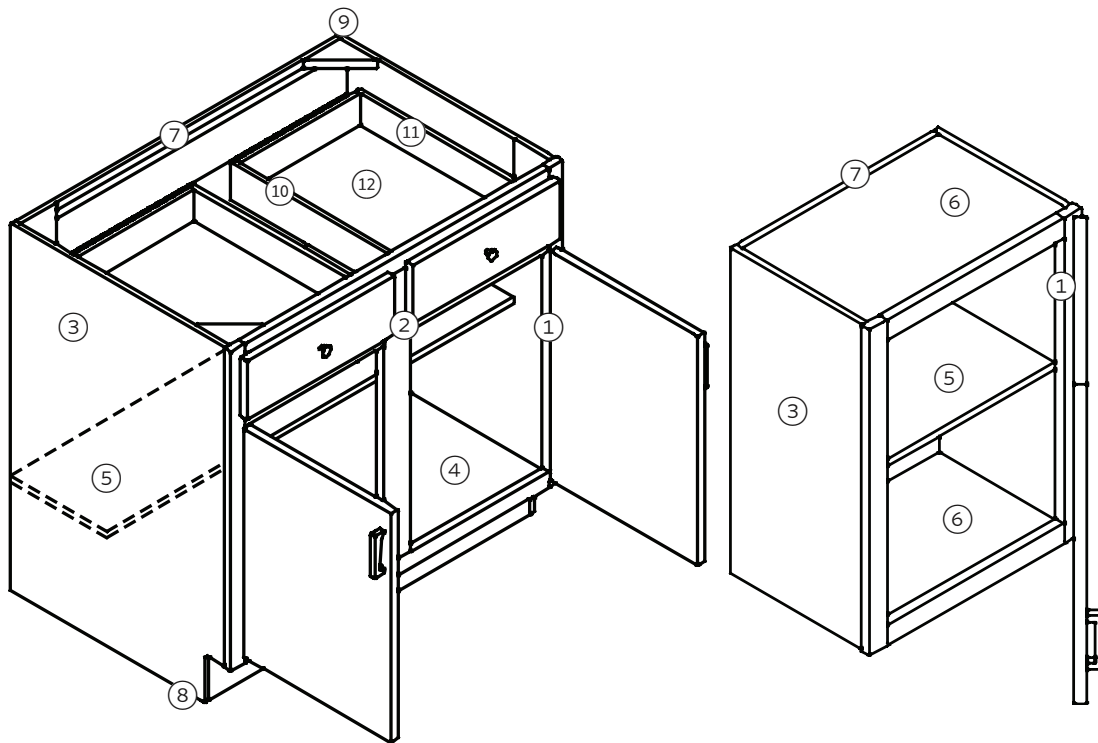


FRAMED CABINETS

Standard Construction



- ① Hinges – 1/2" overlay concealed
- ② Face Frame – 3/4" hardwood
- ③ End Panels – 1/2" particleboard
- ④ Base Bottoms – 1/2" particleboard
- ⑤ Shelves – 5/8" pbd, base & wall adj.
- ⑥ Wall Tops/Bottoms – 1/2" particleboard
- ⑦ Backs – 1/8" hardboard
- ⑧ Toe Kick Supports – 1/2" particleboard (inset)
- ⑨ Corner Blocks – Triangular nylon
- ⑩ Drawer Guides – Epoxy, 75 lb. capacity
- ⑪ Drawer Box – 1/2" particleboard
- ⑫ Drawer Bottom – 1/8" hardboard

Note: Variation in color and grain may differ from actual product.



KITCHEN CABINET
 MANUFACTURERS ASSOCIATION

5810 Elysian Fields Rd
 Marshall, TX 75672
 (903) 935-7611 office
 (903) 927-2333 fax
 rcd@republicelite.com

RCD CABINETS.COM

[f /RepublicCabinetsTX](https://www.facebook.com/RepublicCabinetsTX)

[in /company/republic-industries-inc.](https://www.linkedin.com/company/republic-industries-inc.)

Framed Door Styles



COVENTRY
Maple or Oak

Shaker style door, mortise and tenon construction with 2" wide rails & stiles. Matching five piece drawer front.

Heritage Grey shown



HEIRLOOM SHAKER
Poplar

Shaker style door, mortise and tenon construction with back bevel outside edge profile. 2" wide rails and stiles. Slab drawer front.

Heritage Grey shown



NEWPORT
Maple or Oak

Wide rail Shaker style door, mortise and tenon construction. Slab drawer front.

Heritage Grey shown



PEYTON
Maple

Slab door with square edge profile. Slab veneer drawer front.

Heritage Grey shown



SAN ANTONIO
Oak

Flat panel five piece door, mortise and tenon construction with rounded outside edge profile. Slab drawer front.

Heritage Grey shown



SHAKER
Maple

Shaker style door, mortise and tenon construction. Recessed flat center panel with 2" wide rails & stiles. Slab drawer front.

Heritage Grey shown



SHERWOOD
Maple or Oak

Flat panel five piece door, mortise and tenon construction with beaded inside edge and shaker style outside edge profiles. Slab drawer front.

Heritage Grey shown



SIERRA
Oak

Shaker style oak door, mortise and tenon construction with 2" wide rails & stiles. Slab drawer front.

Heritage Grey shown



STONERIDGE
Maple

Flat panel five piece door, mortise and tenon construction with rounded outside edge profile. Slab drawer front.

Heritage Grey shown

Note: Variation in color and grain may differ from actual product.



KITCHEN CABINET
MANUFACTURERS ASSOCIATION

5810 Elysian Fields Rd
Marshall, TX 75672
(903) 935-7611 office
(903) 927-2333 fax
rcd@republicelite.com

RCD CABINETS.COM

[/RepublicCabinetsTX](https://www.facebook.com/RepublicCabinetsTX)

[/company/republic-industries-inc.](https://www.linkedin.com/company/republic-industries-inc.)

REVISED 1-10-2025

Framed Finish Selections



■ Willow



■ Pecan



■ Bark



■ Heritage Grey



■ Castlerock



■ Café



■ Cognac

■ AVAILABLE IN MAPLE, OAK AND POPLAR

■ AVAILABLE IN MAPLE ONLY

Note: Variation in color and grain may differ from actual product.



KITCHEN CABINET
MANUFACTURERS ASSOCIATION

5810 Elysian Fields Rd
Marshall, TX 75672
(903) 935-7611 office
(903) 927-2333 fax
rkd@republicelite.com

R C D C A B I N E T S . C O M

/RepublicCabinetsTX

/company/republic-industries-inc.