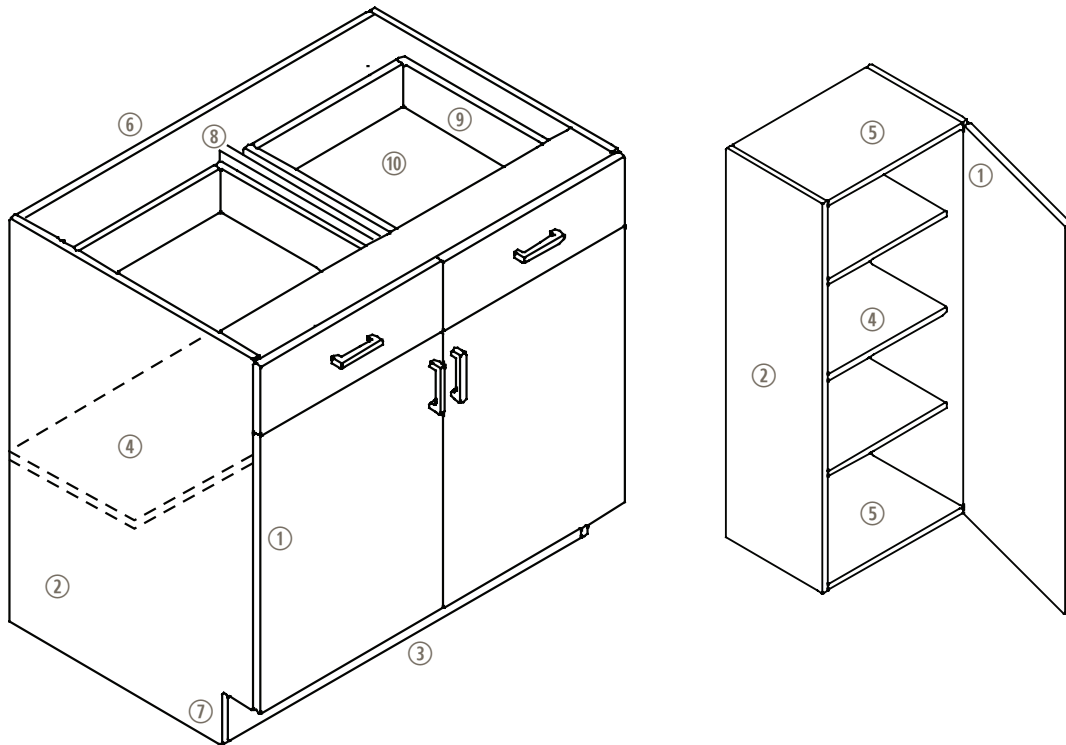


FRAMELESS CABINETS

Frameless Construction



- ① Hinges – European concealed
- ② End Panels – 5/8" particleboard
- ③ Base Bottoms – 5/8" particleboard
- ④ Shelves – 5/8" particleboard, wall and base adj
- ⑤ Wall Tops/Bottoms – 5/8" particleboard
- ⑥ Backs – 1/8" hardboard
- ⑦ Toe Kick Supports – 5/8" particleboard (inset)
- ⑧ Drawer Guides – Epoxy, 75 lb. capacity
- ⑨ Drawer Box – 1/2" particleboard
- ⑩ Drawer Bottom – 1/8" hardboard

Note: Variation in color and grain may differ from actual product.



KITCHEN CABINET
 MANUFACTURERS ASSOCIATION

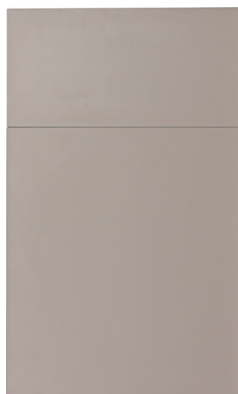
5810 Elysian Fields Rd
 Marshall, TX 75672
 (903) 935-7611 office
 (903) 927-2333 fax
 rcd@republicelite.com

RCD CABINETS.COM

[f /RepublicCabinetsTX](https://www.facebook.com/RepublicCabinetsTX)

[in /company/republic-industries-inc.](https://www.linkedin.com/company/republic-industries-inc.)

Frameless Door Styles



ASPEN

Slab 2-sided melamine 5/8" particleboard core door with PVC banded outside square edge. Slab drawer front.

Cashmere Grey shown



KEY WEST

Raised panel thermofoil door with 18 degree front bevel outside edge profile. Slab drawer front. Has matching outside profile.

Cashmere Grey shown



MANHATTAN

Slab thermofoil door with rounded outside edge profile. Slab drawer front.

Cashmere Grey shown



ST. BARTS

Slab thermofoil door with 18 degree front bevel outside edge profile. Slab drawer front. Has matching outside profile.

Cashmere Grey shown



CLASSIC SHAKER-TF

Shaker style thermofoil door with recessed center panel look. Slab drawer front.

Cashmere Grey shown



SLIMLINE SHAKER-TF

Shaker style thermofoil door with recessed center panel and narrow rails & stiles. Matching drawer front.

Cashmere Grey shown

Note: Variation in color and grain may differ from actual product.



KITCHEN CABINET
 MANUFACTURERS ASSOCIATION

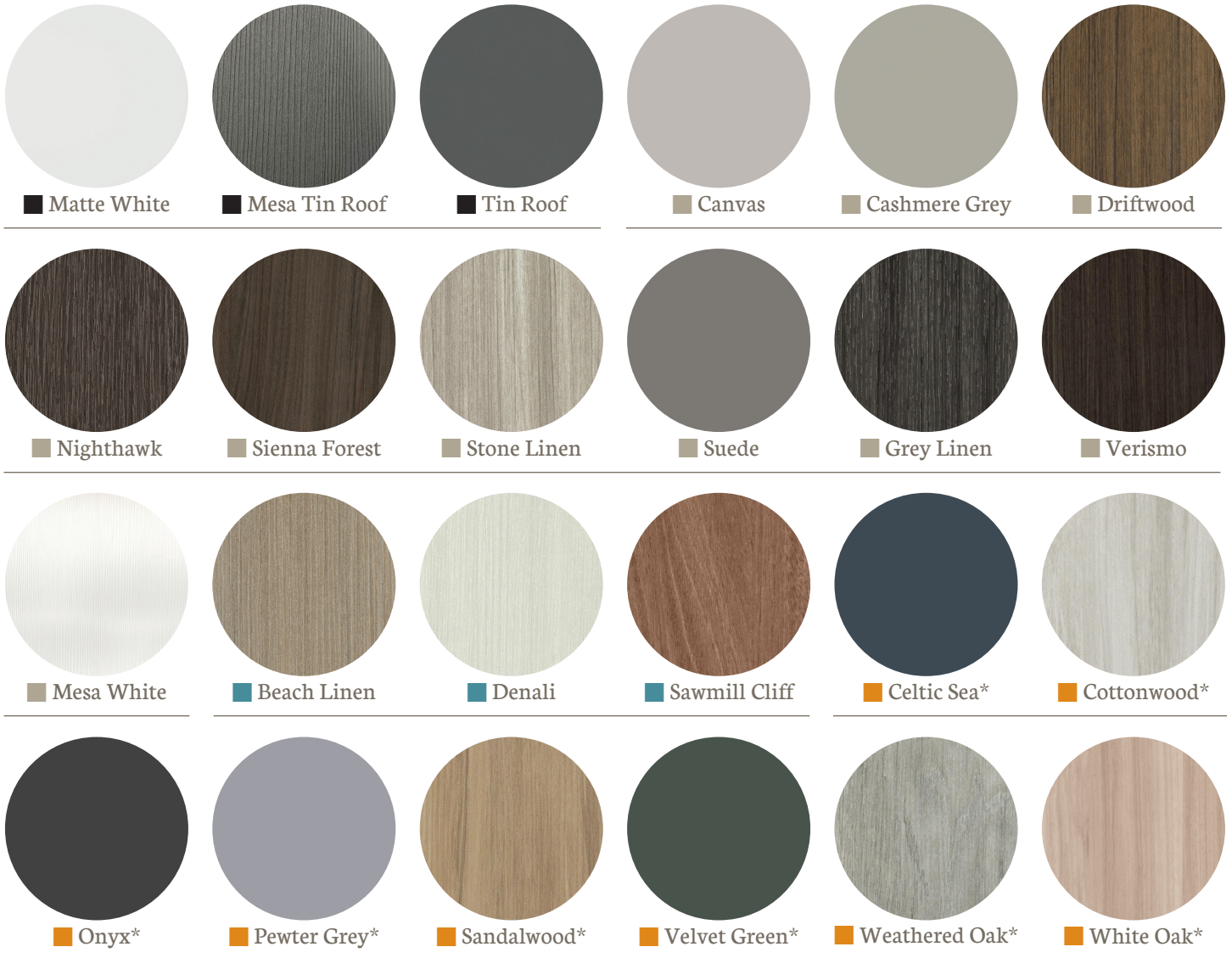
5810 Elysian Fields Rd
 Marshall, TX 75672
 (903) 935-7611 office
 (903) 927-2333 fax
 rcd@republicelite.com

RCD CABINETS . COM

/RepublicCabinetsTX

/company/republic-industries-inc.

Thermofoil Selections



BASIC
INTERMEDIATE
PREMIUM
ULTRA
* ACCENT COLORS

Note: Variation in color and grain may differ from actual product.



KITCHEN CABINET MANUFACTURERS ASSOCIATION

15167 Business Ave
Addison, TX 75001
(972) 606-9667 office
(972) 735-0934 fax
info@republicelite.com

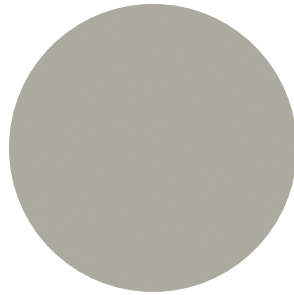
republicelite.com

- /republicelitemultifamilyinteriors
- /company/republicelite
- /republicitemf

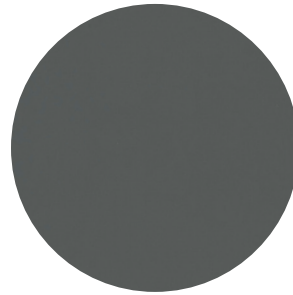
Melamine Selections



■ Snowdrift



■ Cashmere Grey



■ Tin Roof



■ Fog Grey



■ Stone Linen



■ Sheer White



■ Sheer Black



■ Navarro Grey



■ Horizon Grey



■ Rockport Grey



■ Butternut



■ PET High Gloss White

■	BASIC
■	INTERMEDIATE
■	PREMIUM
■	ULTRA

Note: Variation in color and grain may differ from actual product.



KITCHEN CABINET
MANUFACTURERS ASSOCIATION

5810 Elysian Fields Rd
Marshall, TX 75672
(903) 935-7611 office
(903) 927-2333 fax
rcd@republicelite.com

RCD CABINETS . COM

/RepublicCabinetsTX

/company/republic-industries-inc.