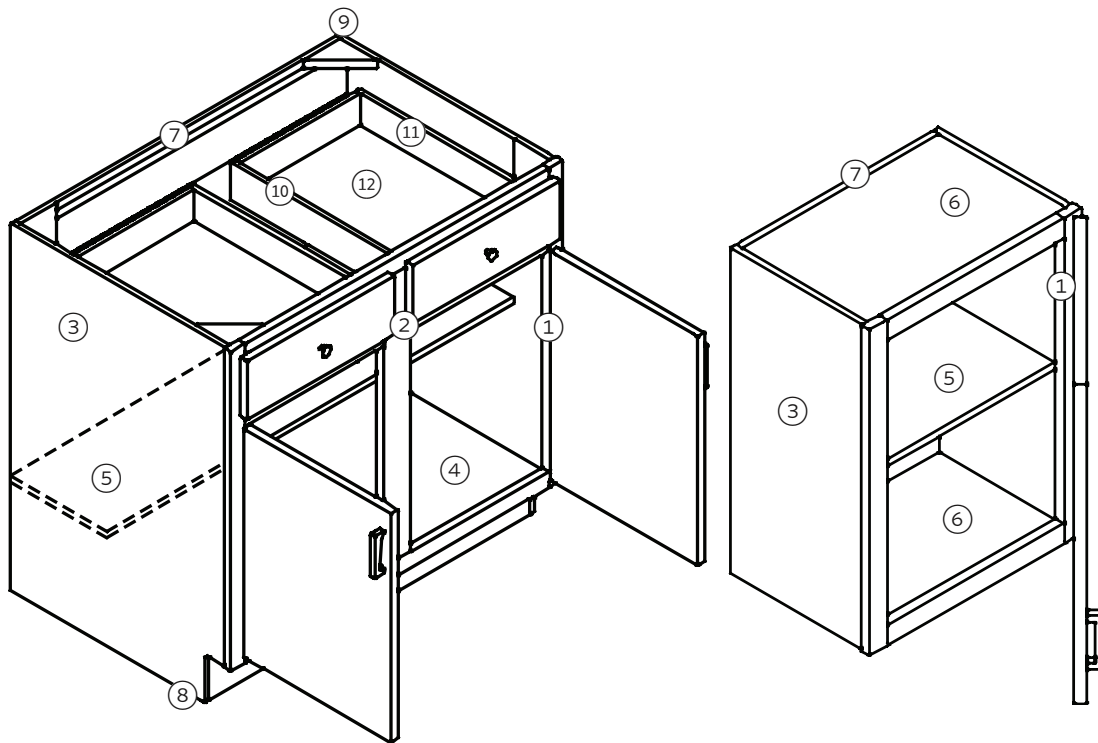


FRAMED CABINETS WITH MELAMINE DOORS

Standard Construction



- ① Hinges – 1/2" overlay concealed
- ② Face Frame – 3/4" hardwood
- ③ End Panels – 1/2" particleboard
- ④ Base Bottoms – 1/2" particleboard
- ⑤ Shelves – 5/8" pbd, base & wall adj.
- ⑥ Wall Tops/Bottoms – 1/2" particleboard
- ⑦ Backs – 1/8" hardboard
- ⑧ Toe Kick Supports – 1/2" particleboard (inset)
- ⑨ Corner Blocks – Triangular nylon
- ⑩ Drawer Guides – Epoxy, 75 lb. capacity
- ⑪ Drawer Box – 1/2" particleboard
- ⑫ Drawer Bottom – 1/8" hardboard

Note: Variation in color and grain may differ from actual product.



KITCHEN CABINET
 MANUFACTURERS ASSOCIATION

5810 Elysian Fields Rd
 Marshall, TX 75672
 (903) 935-7611 office
 (903) 927-2333 fax
 rcd@republicelite.com

RCD CABINETS.COM

[f /RepublicCabinetsTX](https://www.facebook.com/RepublicCabinetsTX)

[in /company/republic-industries-inc.](https://www.linkedin.com/company/republic-industries-inc.)

Melamine Doors on Framed Cabinet Selections

Door Style



Aspen

Slab 2 sided melamine 5/8" particleboard core door with PVC edge banded outside square edge. Slab drawer front has matching outside edge.

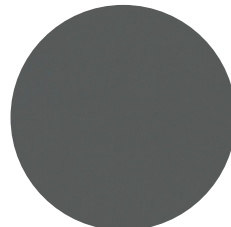
Door Color



Cocoa



Peppercorn



Tin Roof



Snowdrift

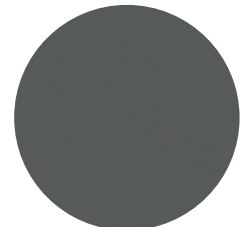
Cabinet Finish



Café Stain



Castlerock Stain



Tin Roof Paint



White Paint

Note: Variation in color and grain may differ from actual product.




KITCHEN CABINET
MANUFACTURERS ASSOCIATION

5810 Elysian Fields Rd
Marshall, TX 75672
(903) 935-7611 office
(903) 927-2333 fax
rkd@republicelite.com

RCD CABINETS . COM

 /RepublicCabinetsTX

 /company/republic-industries-inc.