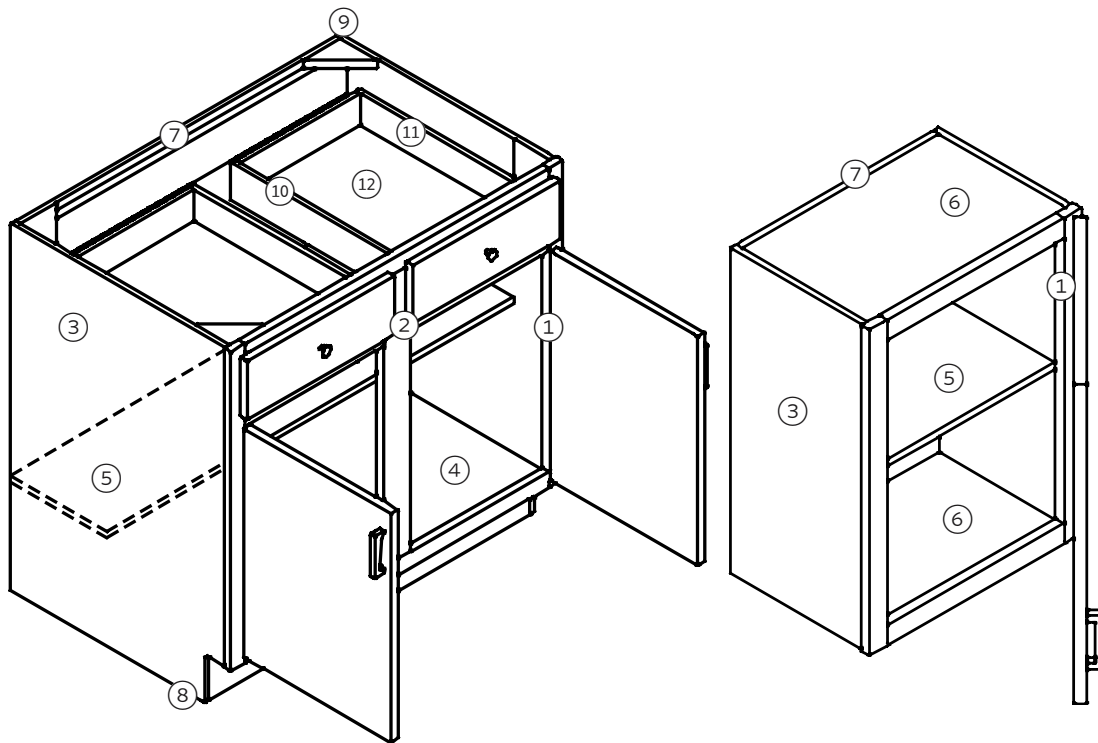


FRAMED CABINETS

Standard Construction



- ① Hinges – 1/2" overlay concealed
- ② Face Frame – 3/4" hardwood
- ③ End Panels – 1/2" particleboard
- ④ Base Bottoms – 1/2" particleboard
- ⑤ Shelves – 5/8" pbd, base & wall adj.
- ⑥ Wall Tops/Bottoms – 1/2" particleboard
- ⑦ Backs – 1/8" hardboard
- ⑧ Toe Kick Supports – 1/2" particleboard (inset)
- ⑨ Corner Blocks – Triangular nylon
- ⑩ Drawer Guides – Epoxy, 75 lb. capacity
- ⑪ Drawer Box – 1/2" particleboard
- ⑫ Drawer Bottom – 1/8" hardboard

Note: Variation in color and grain may differ from actual product.



KITCHEN CABINET
 MANUFACTURERS ASSOCIATION

5810 Elysian Fields Rd
 Marshall, TX 75672
 (903) 935-7611 office
 (903) 927-2333 fax
 rcd@republicelite.com

RCD CABINETS.COM

[f /RepublicCabinetsTX](https://www.facebook.com/RepublicCabinetsTX)

[in /company/republic-industries-inc.](https://www.linkedin.com/company/republic-industries-inc.)

Framed Door Styles



Catalina
Maple

Raised panel five piece door, mortise and tenon construction with rounded outside edge profile. Slab drawer front.
(Cafe shown)



Coventry
Maple or Oak

Shaker style door, mortise and tenon construction with 2" wide rails & stiles. Matching five piece drawer front.
(Cognac shown)



Davenport
Maple

Raised panel five piece door, mortise and tenon construction with decorative inside and outside edge profiles. Slab drawer front with matching decorative outside edge profile.
(Cafe shown)



Heirloom Shaker
Poplar

Shaker style door, mortise and tenon construction with back bevel outside edge profile. 2" wide rails and stiles. Slab drawer front.
(Cognac shown)



Newport
Maple

Wide rail Shaker style door, mortise and tenon construction. Slab drawer front.
(Cognac shown)



Peyton
Maple

Slab door with square edge profile. Slab veneer drawer front.
(Cafe shown)



San Antonio
Oak

Flat panel five piece door, mortise and tenon construction with rounded outside edge profile. Slab drawer front.
(Cognac shown)



Shaker
Maple

Shaker style door, mortise and tenon construction. Recessed flat center panel with 2" wide rails & stiles. Slab drawer front.
(Cognac shown)



Sherwood
Maple

Flat panel five piece door, mortise and tenon construction with beaded inside edge and shaker style outside edge profiles. Slab drawer front.
(Cognac shown)



Sierra
Oak

Shaker style oak door, mortise and tenon construction with 2" wide rails & stiles. Slab drawer front.
(Cognac shown)



Stoneridge
Maple

Flat panel five piece door, mortise and tenon construction with rounded outside edge profile. Slab drawer front.
(Cognac shown)

Note: Variation in color and grain may differ from actual product.



KITCHEN CABINET
MANUFACTURERS ASSOCIATION

5810 Elysian Fields Rd
Marshall, TX 75672
(903) 935-7611 office
(903) 927-2333 fax
rcd@republicelite.com

RCD CABINETS.COM

[f /RepublicCabinetsTX](https://www.facebook.com/RepublicCabinetsTX)

[in /company/republic-industries-inc.](https://www.linkedin.com/company/republic-industries-inc.)

Maple Stains



Café



Cognac



Castlerock



Heritage Grey

Oak Stains



Café



Cognac



Castlerock



Heritage Grey

Poplar Stains



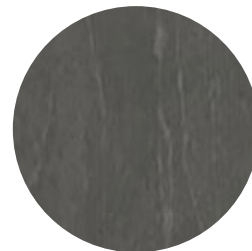
Café



Cognac



Castlerock



Heritage Grey

Note: Variation in color and grain may differ from actual product.



KITCHEN CABINET
MANUFACTURERS ASSOCIATION

5810 Elysian Fields Rd
Marshall, TX 75672
(903) 935-7611 office
(903) 927-2333 fax
rkd@republicelite.com

RCD CABINETS . COM

/RepublicCabinetsTX

/company/republic-industries-inc.