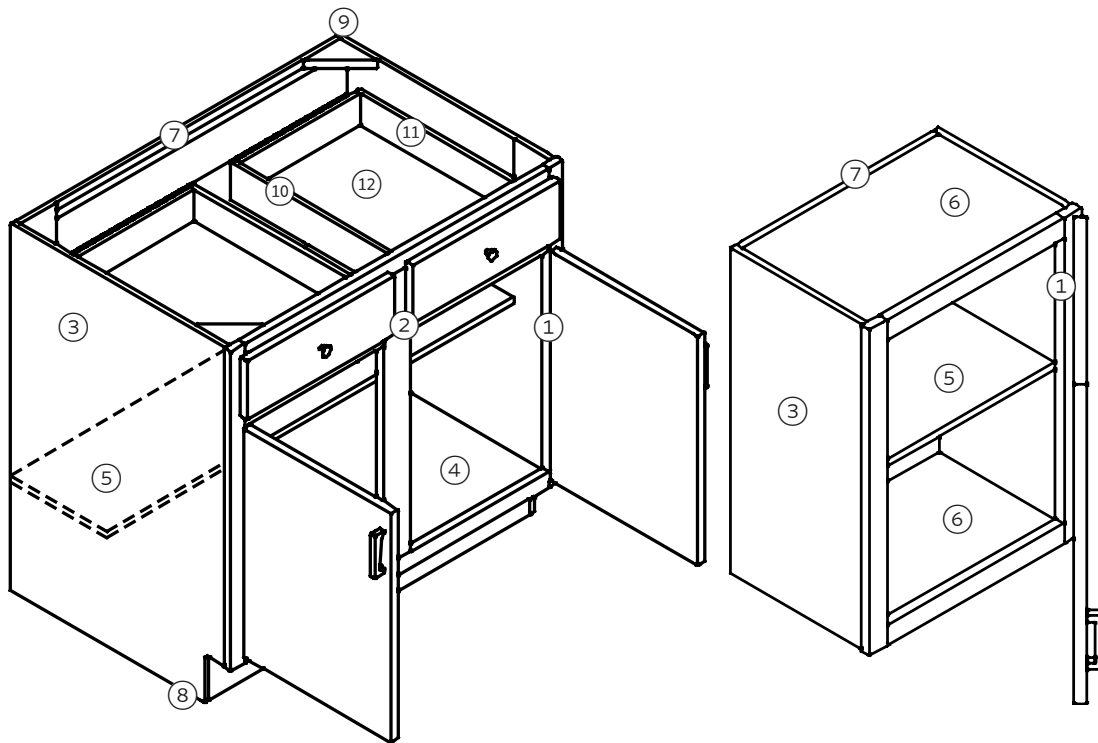


FRAMED CABINETS WITH THERMOFOIL DOORS

Standard Construction



- ① Hinges – 1/2" overlay concealed
- ② Face Frame – 3/4" hardwood
- ③ End Panels – 1/2" particleboard
- ④ Base Bottoms – 1/2" particleboard
- ⑤ Shelves – 5/8" pbd, base & wall adj.
- ⑥ Wall Tops/Bottoms – 1/2" particleboard
- ⑦ Backs – 1/8" hardboard
- ⑧ Toe Kick Supports – 1/2" particleboard (inset)
- ⑨ Corner Blocks – Triangular Nylon
- ⑩ Drawer Guides – Epoxy, 75 lb. capacity
- ⑪ Drawer Box – 1/2" particleboard
- ⑫ Drawer Bottom – 1/8" hardboard

Note: Variation in color and grain may differ from actual product.



KITCHEN CABINET
 MANUFACTURERS ASSOCIATION

5810 Elysian Fields Rd
 Marshall, TX 75672
 (903) 935-7611 office
 (903) 927-2333 fax
 rcd@republiclite.com

RCD CABINETS.COM

[f /RepublicCabinetsTX](https://www.facebook.com/RepublicCabinetsTX)

[in /company/republic-industries-inc.](https://www.linkedin.com/company/republic-industries-inc.)