

DECORATIVE OPEN SHELVES

FRAMED

SKU#	FINISHED PRODUCT DIMENSIONS	WEIGHT CAPACITY
DS24.5	24.5" X 11.125" X 1.5"	30 LBS.
DS27.5	27.5" X 11.125" X 1.5"	33 LBS.
DS30.5	30.5" X 11.125" X 1.5"	37.5 LBS.
DS33.5	33.5" X 11.125" X 1.5"	40.5 LBS.
DS36.5	36.5" X 11.125" X 1.5"	45 LBS.

COLORS AVAILABLE

PAINT



Black Sea

Cashmere Grey

Dark Harbor



Ivory

Pewter Grey

Sea Salt



Tin Roof

White

STAIN



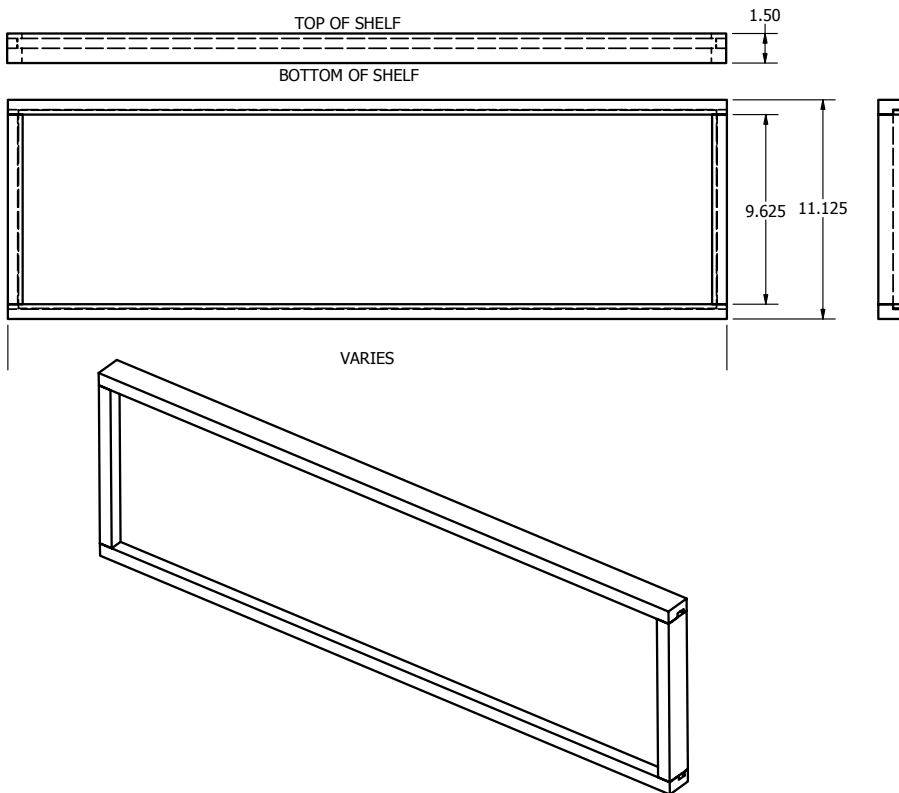
Café

Cognac



Castlerock

Heritage Grey



These shelves are designed to be installed between 2 cabinets. Please note these are not trimmable.

Note: Variation in color and grain may differ from actual product.



KITCHEN CABINET
 MANUFACTURERS ASSOCIATION

5810 Elysian Fields Rd
 Marshall, TX 75672
 (903) 935-7611 office
 (903) 927-2333 fax
 rcd@republicelite.com

RCD CABINETS . COM

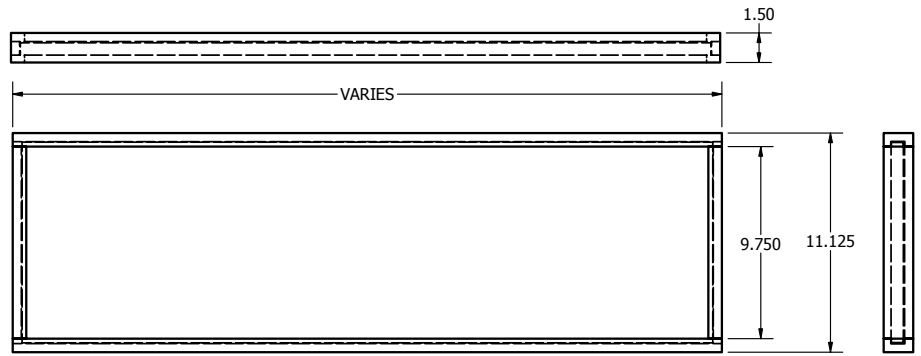
/RepublicCabinetsTX

/company/republic-industries-inc.

DECORATIVE OPEN SHELVES

FRAMELESS

SKU#	FINISHED PRODUCT DIMENSIONS	WEIGHT CAPACITY
DS24	24" X 11.125" X 1.5"	30 LBS.
DS27	27" X 11.125" X 1.5"	33 LBS.
DS30	30" X 11.125" X 1.5"	37.5 LBS.
DS33	33" X 11.125" X 1.5"	40.5 LBS.
DS36	36" X 11.125" X 1.5"	45 LBS.



COLORS AVAILABLE

Thermofoil Selections



Melamine Selections



These shelves are designed to be installed between 2 cabinets.
Please note these are not trimmable.

*Accent colors

Note: Variation in color and grain may differ from actual product.



KITCHEN CABINET
MANUFACTURERS ASSOCIATION

5810 Elysian Fields Rd
Marshall, TX 75672
(903) 935-7611 office
(903) 927-2333 fax
rcd@republicelite.com

RCD CABINETS.COM

[f /RepublicCabinetsTX](https://www.facebook.com/RepublicCabinetsTX)

[in /company/republic-industries-inc.](https://www.linkedin.com/company/republic-industries-inc.)